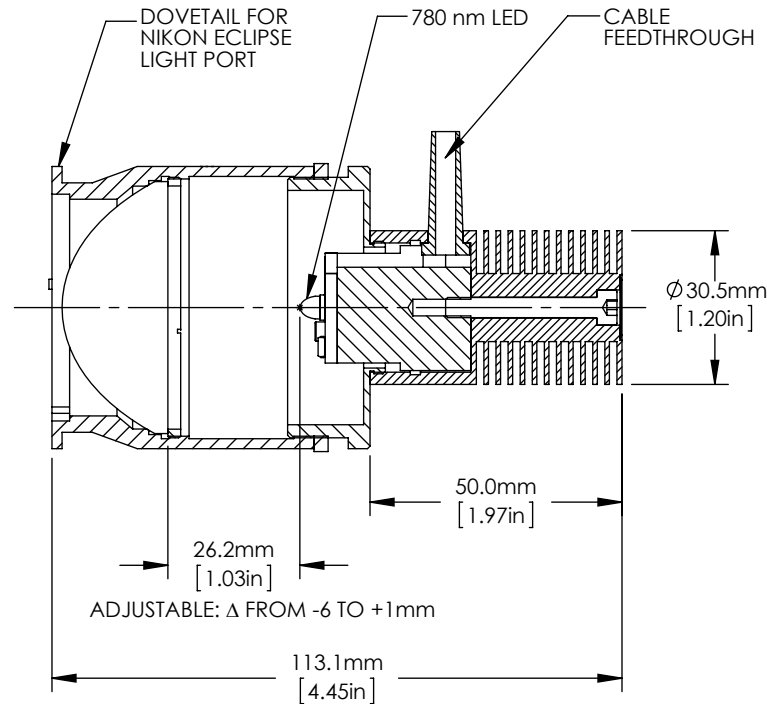
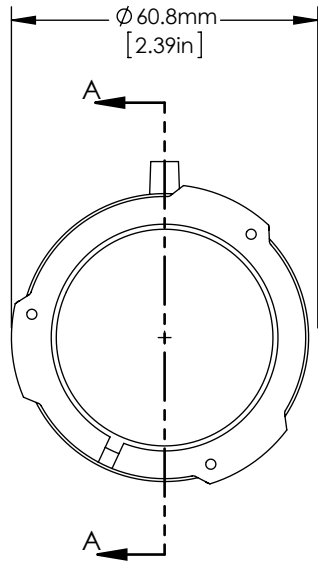




**WARNING**

IR emitted from this product.  
Avoid eye exposure.  
Use appropriate shielding  
or eye protection.

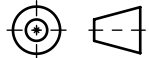
SECTION A-A



Item #	Color	LED Wavelength*	Chip Size	Minimum Power LED Output	Typical Power LED Output	Total Beam Power	Beam Diameter	Beam Area	Maximum Drive Current (CW)	Forward Voltage	Electrical Power	Typical Lifetime	Risk Group According to the IEC Standard 62471:2006**
M780L3-C5	IR	780 nm	1 mm x 1 mm	200 mW	300 mW	170 mW	43 mm	1450 mm <sup>2</sup>	800 mA	2.0 V	1600 mW	>10 000 h	RG1 - LOW RISK GROUP

\* The specifications listed in the table above are nominal values.  
\*\* Photobiological Safety of Lamps and Lamp Systems

FOR INFORMATION ONLY  
NOT FOR MANUFACTURING PURPOSES

DRAWING PROJECTION			<b>THORLABS</b> www.thorlabs.com	
NAME	DATE	COLLIMATED 780nm LED FOR NIKON ECLIPSE MICROSCOPES		
DRAWN	Hit.	12/NOV/15	MATERIAL	
APPROVAL	KB	12/NOV/15	N/A	
COPYRIGHT © 2015 BY THORLABS			ITEM #	APPROX WEIGHT
VALUES IN PARENTHESIS ARE CALCULATED AND MAY CONTAIN ROUND OFF ERRORS			M780L3-C5	0.26 kg
			REV	B